

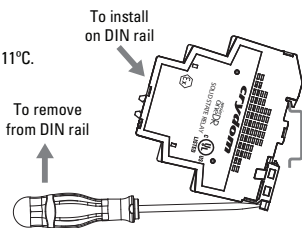
## series oneDR

AC/DC Output Single Channel &  
AC Output Dual Channel SSR

### INSTALLATION INSTRUCTIONS

Please read all installation instructions before using SeriesOne DR SSRs.

- Install the relay on the DIN rail (as shown in drawing).
- Wire the relay to the input side. AWG #22 minimum, AWG #16 maximum (0.3-1.3 mm<sup>2</sup>). Temperature rating of 111°C.
- Wire the relay to the output side. AWG #22 minimum (0.3 mm<sup>2</sup>), AWG #14 (2.1 mm<sup>2</sup>) x 2 or AWG #12 (3.3 mm<sup>2</sup>) x 1 (standed/solid) maximum. Temperature rating of 111°C.
- Maximum recommended terminal screw torque input 4.4 in-lbs (0.5 Nm) & output 7 in-lbs (0.8 Nm).
- If multiple units are installed be sure to follow derating curves (reverse side of this sheet).



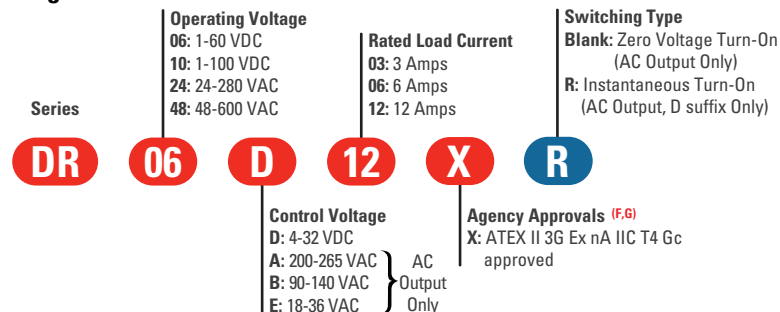
### General Notes

- (A) Not all combinations of ratings are available.  
 (B) No grounding wire required. DC inductive loads must be diode suppressed.  
 (C) 4 Pin connector for dual channel output only. Mating connector: MOLEX 050579404 or equivalent.  
 (D) 4 Terminal screws Pozidrive #1, 3/16 in (4.8 mm).  
 (E) Minimum wire insulation strip length 0.20 in (5.1 mm), maximum 0.28 in (7.1 mm).  
 (F) F.1 Certified according to EN 60079-0:2012+A11:2013 and EN 60079-15:2010  
 F.2 Evaluated as equipment  $\text{CE} \text{ (Ex)} \text{ II 3 G Ex nA IIC T4 Gc}$  under DEMKO No. 14 ATEX 1201X  
 F.3 Ambient temperature range -20°C ≤ T<sub>AMB</sub> ≤ 40°C  
 F.4 **SPECIAL CONDITIONS FOR SAFE USE:**

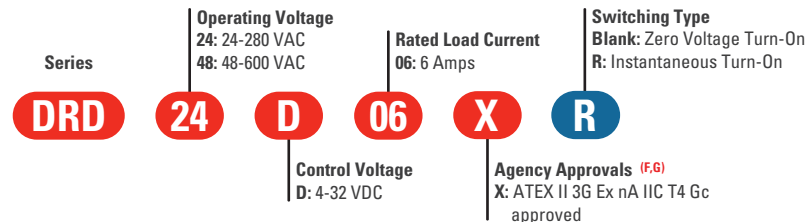
The system shall be mounted in an ATEX certified enclosure with a minimum ingress protection rating of at least IP54 as defined in EN60529 and used in an environment of not more than pollution degree 2. Provision shall be made to prevent the rated voltage being exceeded by the transient disturbances of more than 140% of the peak rated voltage.

### PART NUMBER NOMENCLATURE

#### Single Channel <sup>(A)</sup>



#### Dual Channel

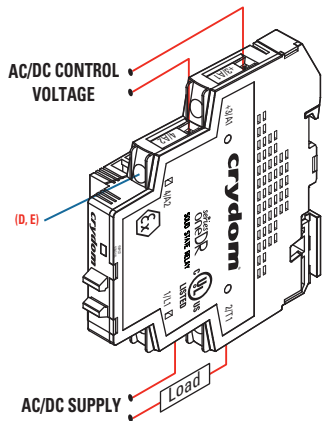


● Required for valid part number

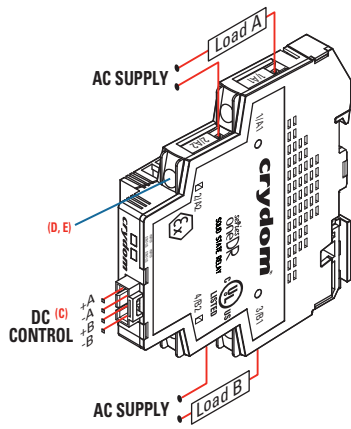
● For options only and not required for valid part number

### WIRING DIAGRAMS (B)

For DRxxx03, DRxxx06 or DRxxx12 versions



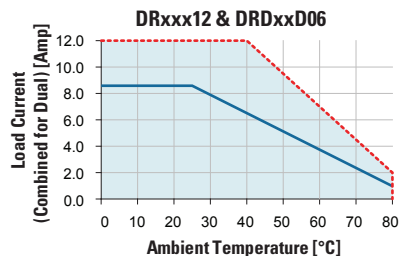
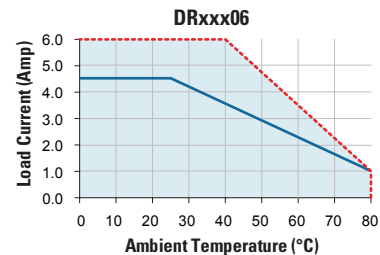
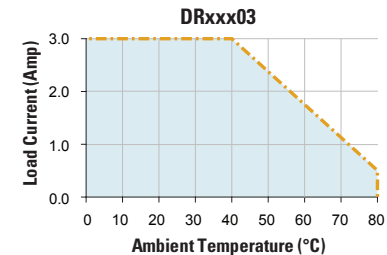
For DRDxxD06 versions



(G) THIS EQUIPMENT IS OPEN-TYPE DEVICE AND IS MEANT TO BE INSTALLED IN AN ENCLOSURE SUITABLE FOR THE ENVIRONMENT SUCH THAT THE EQUIPMENT IS ONLY ACCESSIBLE WITH THE USE OF A TOOL. SUITABLE FOR USE IN CLASS I, DIVISION 2, GROUPS A, B, C AND D HAZARDOUS LOCATIONS, OR NON-HAZARDOUS LOCATIONS ONLY. **WARNING** - EXPLOSION HAZARD - DO NOT DISCONNECT EQUIPMENT WHILE THE CIRCUIT IS LIVE OR UNLESS THE AREA IS KNOWN TO BE FREE OF IGNITABLE CONCENTRATIONS. **WARNING** - EXPLOSION HAZARD - SUBSTITUTION OF ANY COMPONENT MAY IMPAIR SUITABILITY FOR CLASS I, DIVISION 2.

### DERATING CURVES

Derating curves are not for the ATEX certificate evaluation



- Single and multiple units for DRxx03
- - - Installed single unit, distance to adjacent components  $\geq 11$  mm for DRxxx06 and  $\geq 18$  mm for DRxxx12 & DRDxxD06
- Multiple units, no minimum spacing between components

### ⚠ WARNING

#### RISK OF MATERIAL DAMAGE AND HOT ENCLOSURE

- The product's side panels may be hot, allow the product to cool before touching.
- Follow proper mounting instructions including torque values.
- Do not allow liquids or foreign objects to enter this product.

Failure to follow these instructions can result in serious injury, or equipment damage.

### ⚠ DANGER

#### HAZARD OF ELECTRIC SHOCK, EXPLOSION OR ARC FLASH

- Turn off power supply before working on this equipment.

Failure to follow these instructions will result in death or serious injury.

Rev. 081916